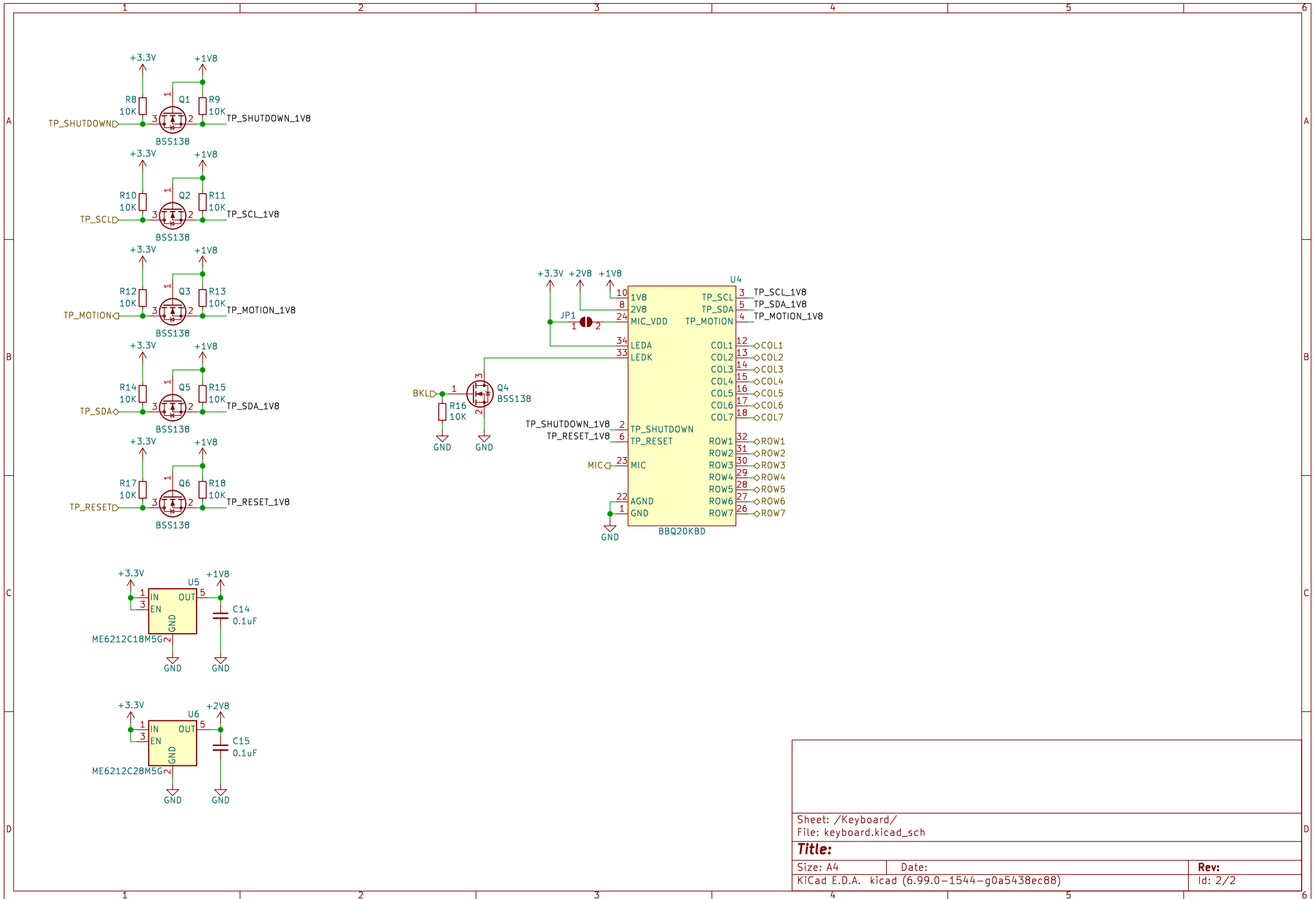


Sheet: /	
File: bbq20_keyboard.kicad_sch	
Title:	
Size: A4	Date:
KiCad E.D.A. kicad (6.99.0-1544-g0a5438ec88)	Rev: Id: 1/2



Sheet: /Keyboard/
 File: keyboard.kicad_sch

Title:

Size: A4 Date:

KiCad E.D.A. kicad (6.99.0-1544-g0a5438ec88)

Rev:

Id: 2/2