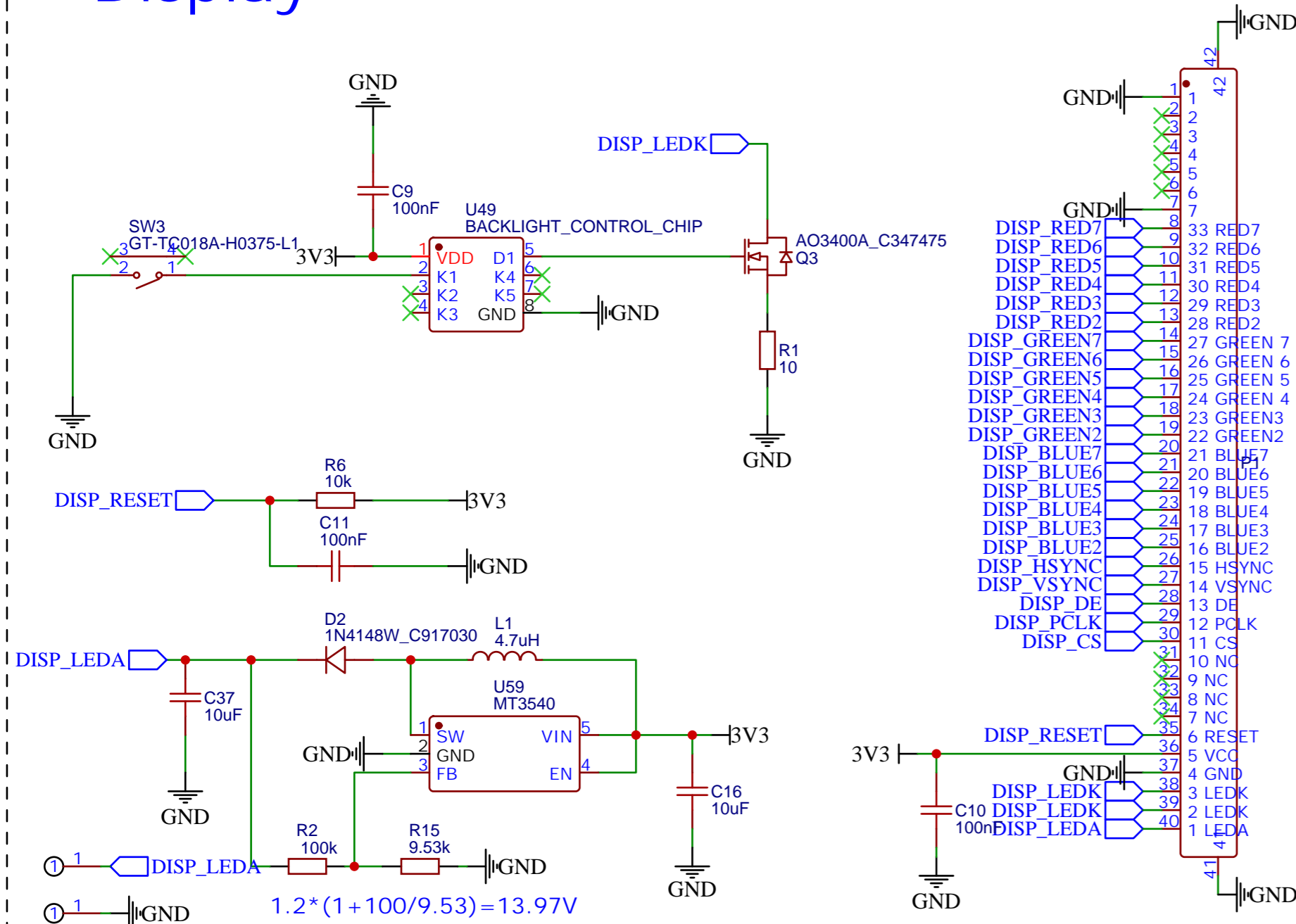
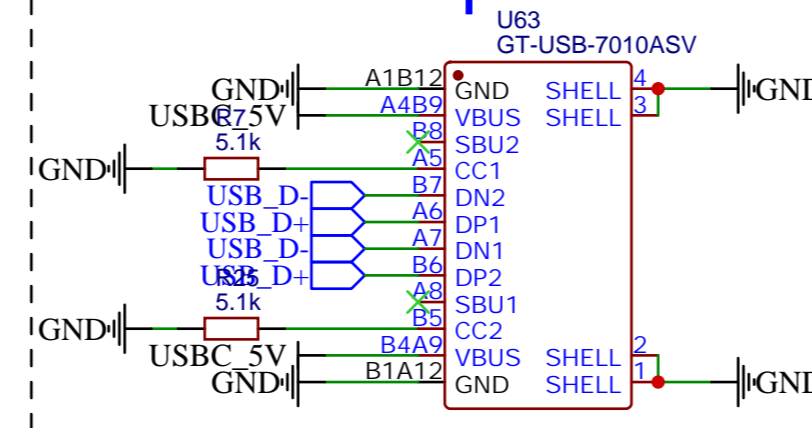


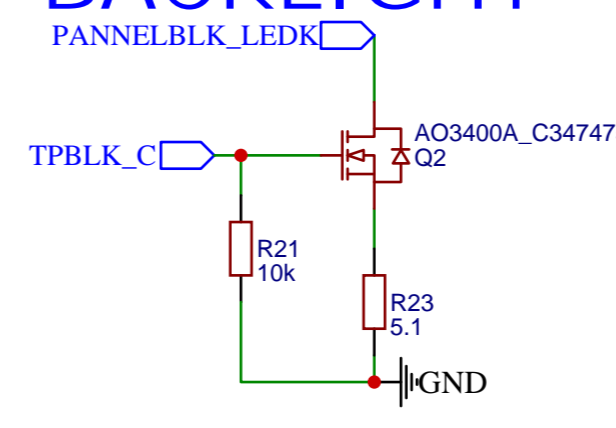
720x720 3.95 inch Display



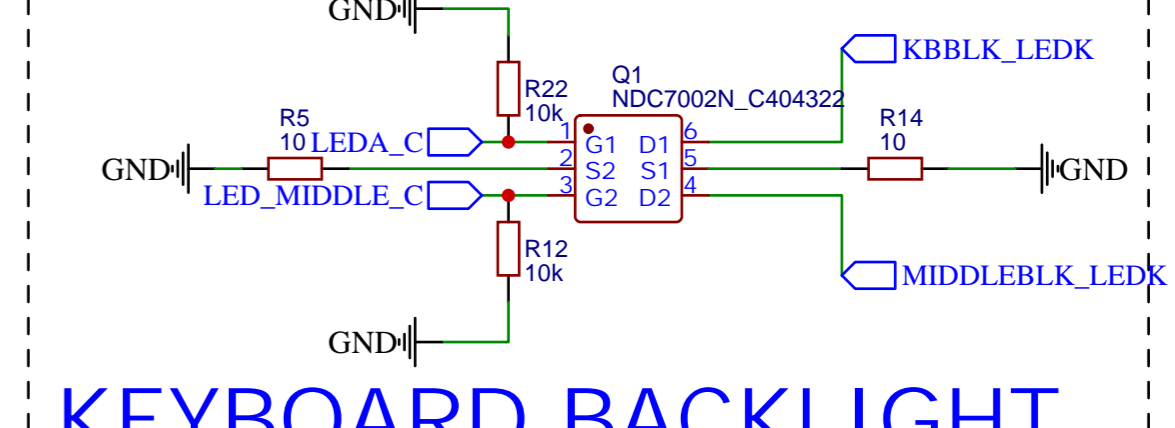
USB-C port



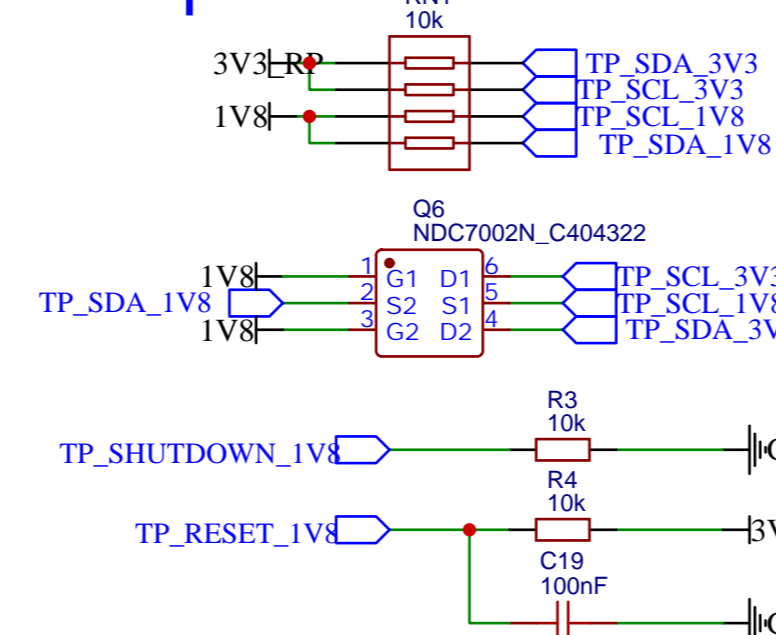
BACKLIGHT



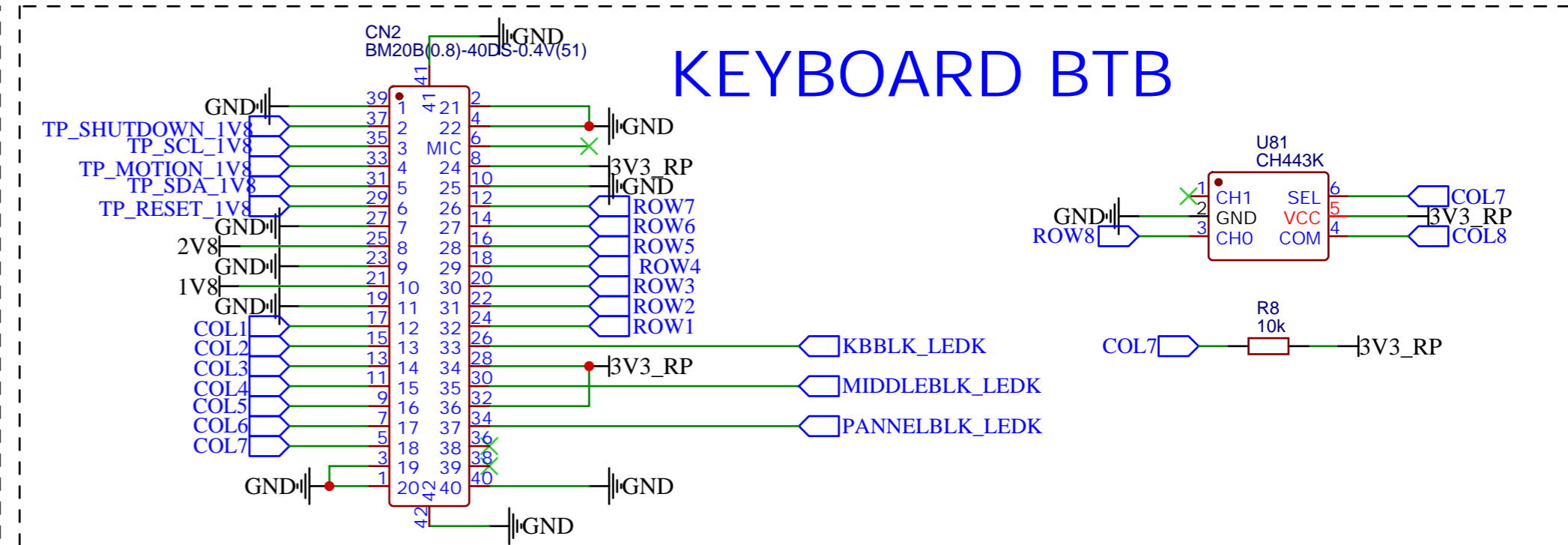
KEYBOARD BACKLIGHT



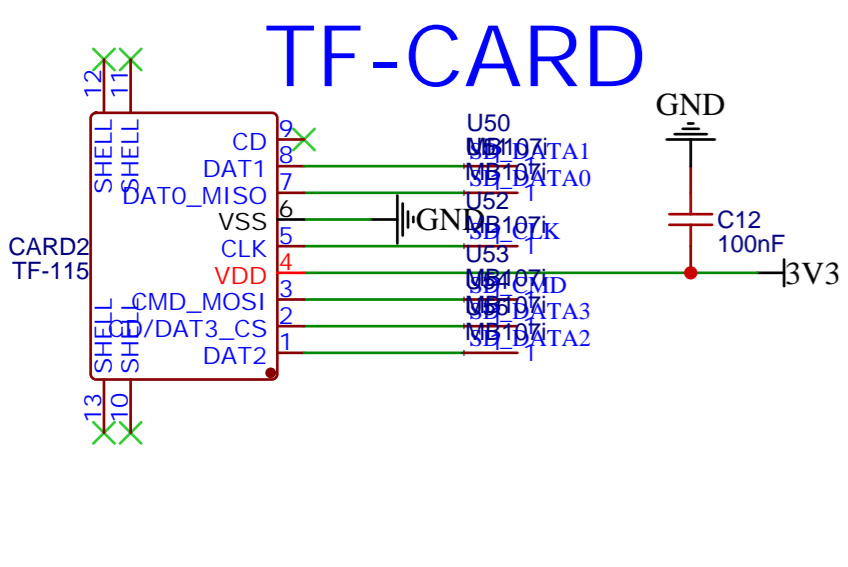
Touchpad



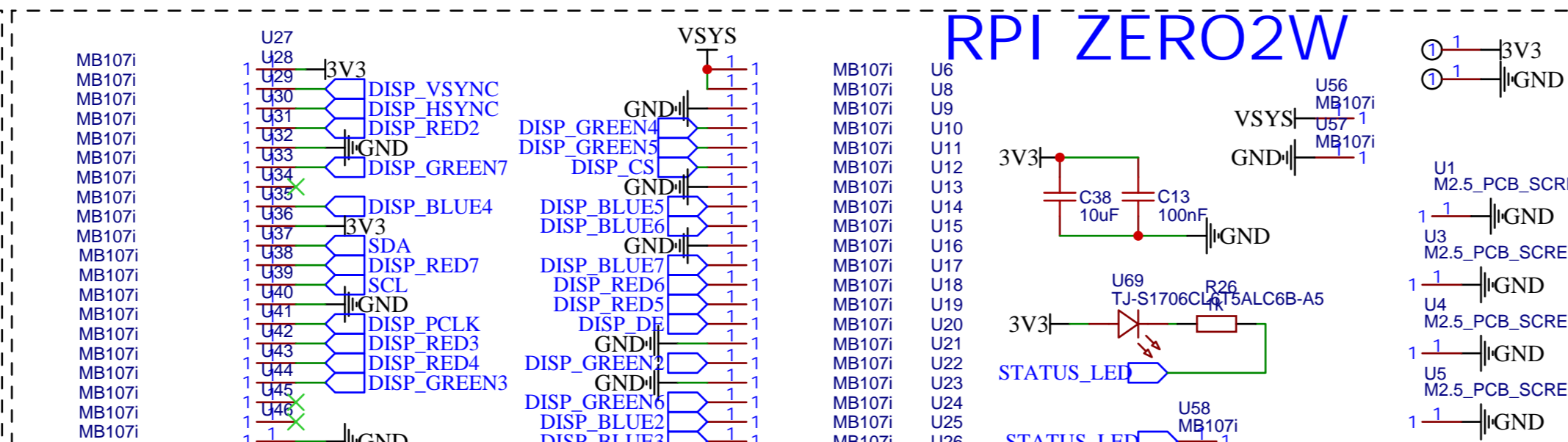
KEYBOARD BTB



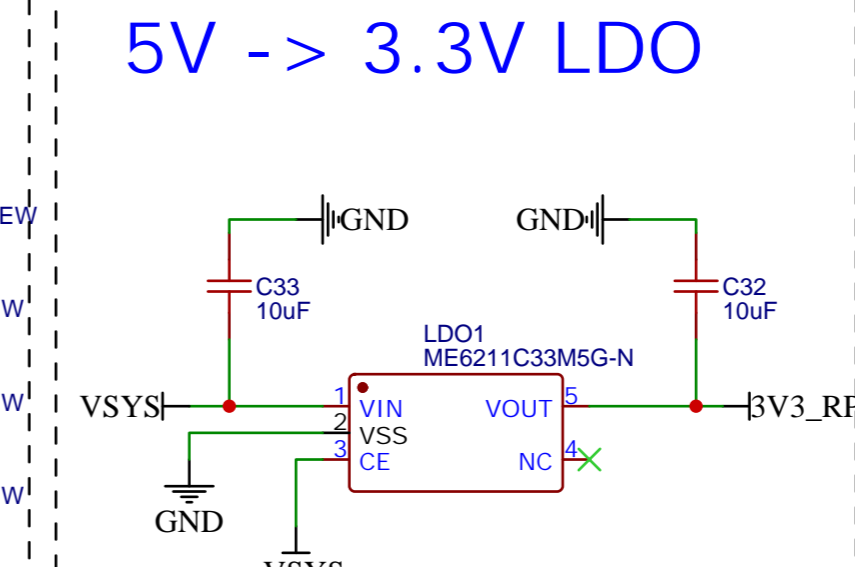
TF-CARD



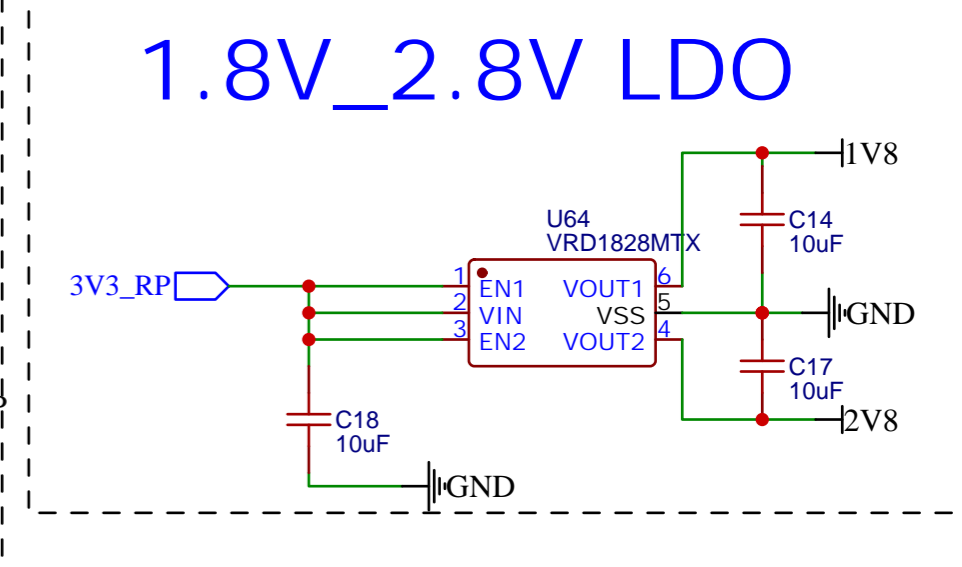
RPI ZERO2W



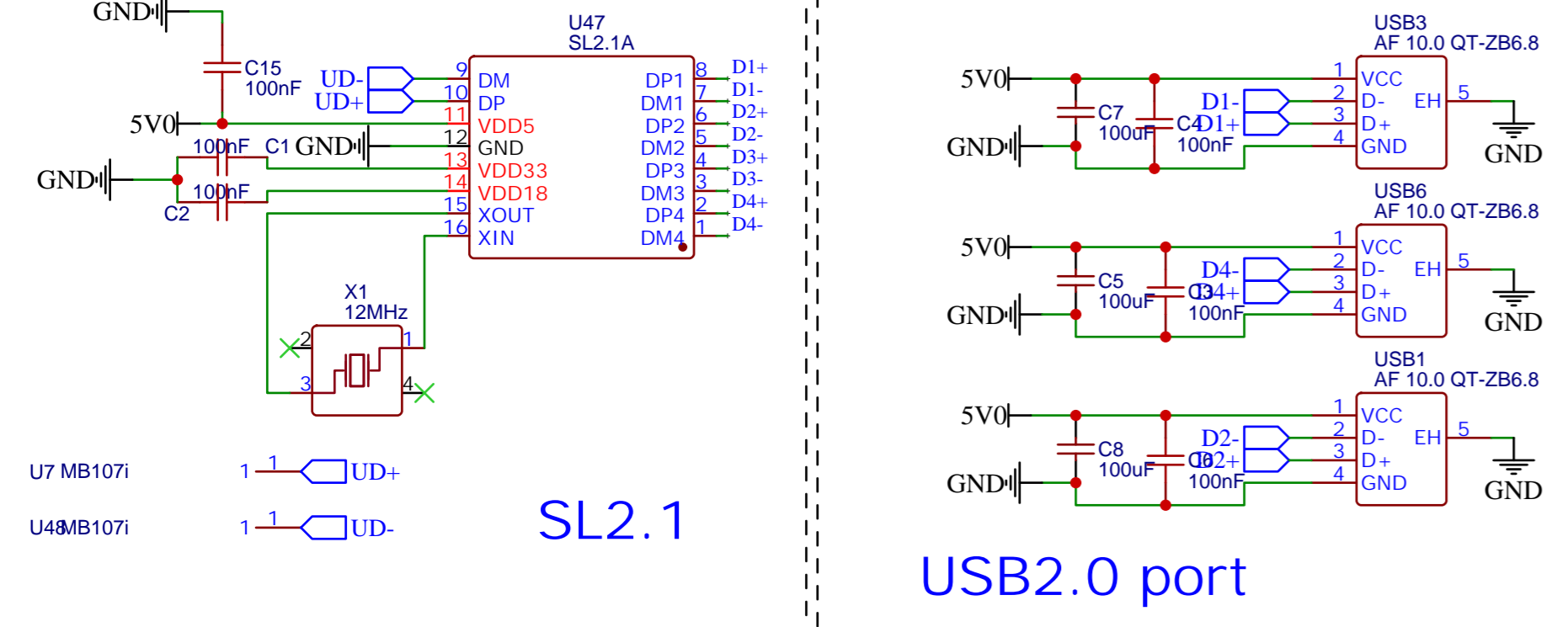
5V -> 3.3V LDO



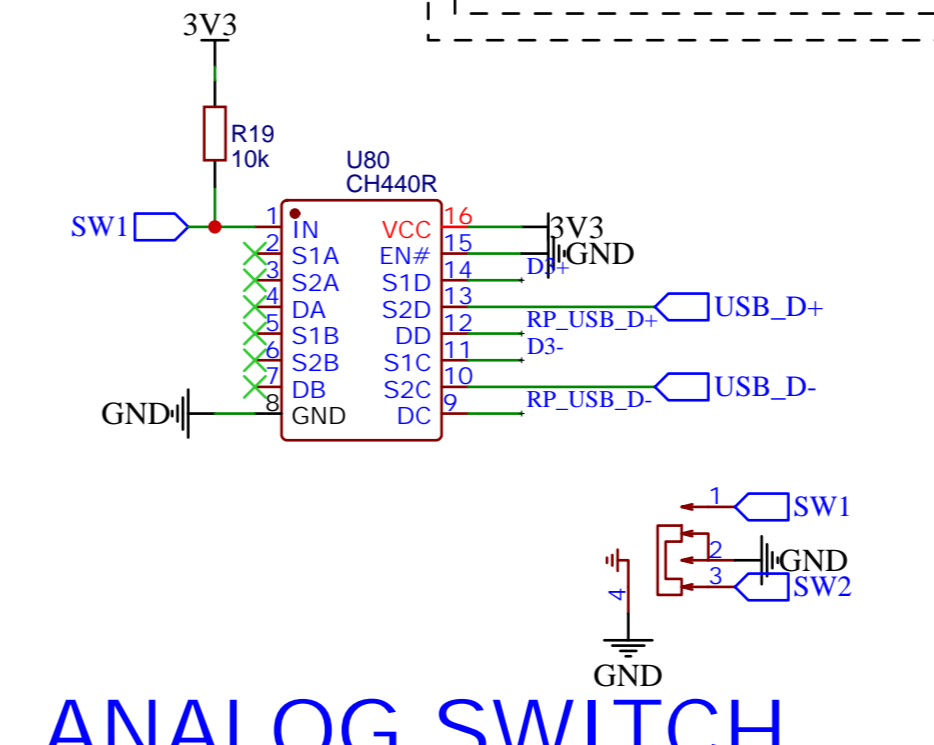
1.8V_2.8V LDO



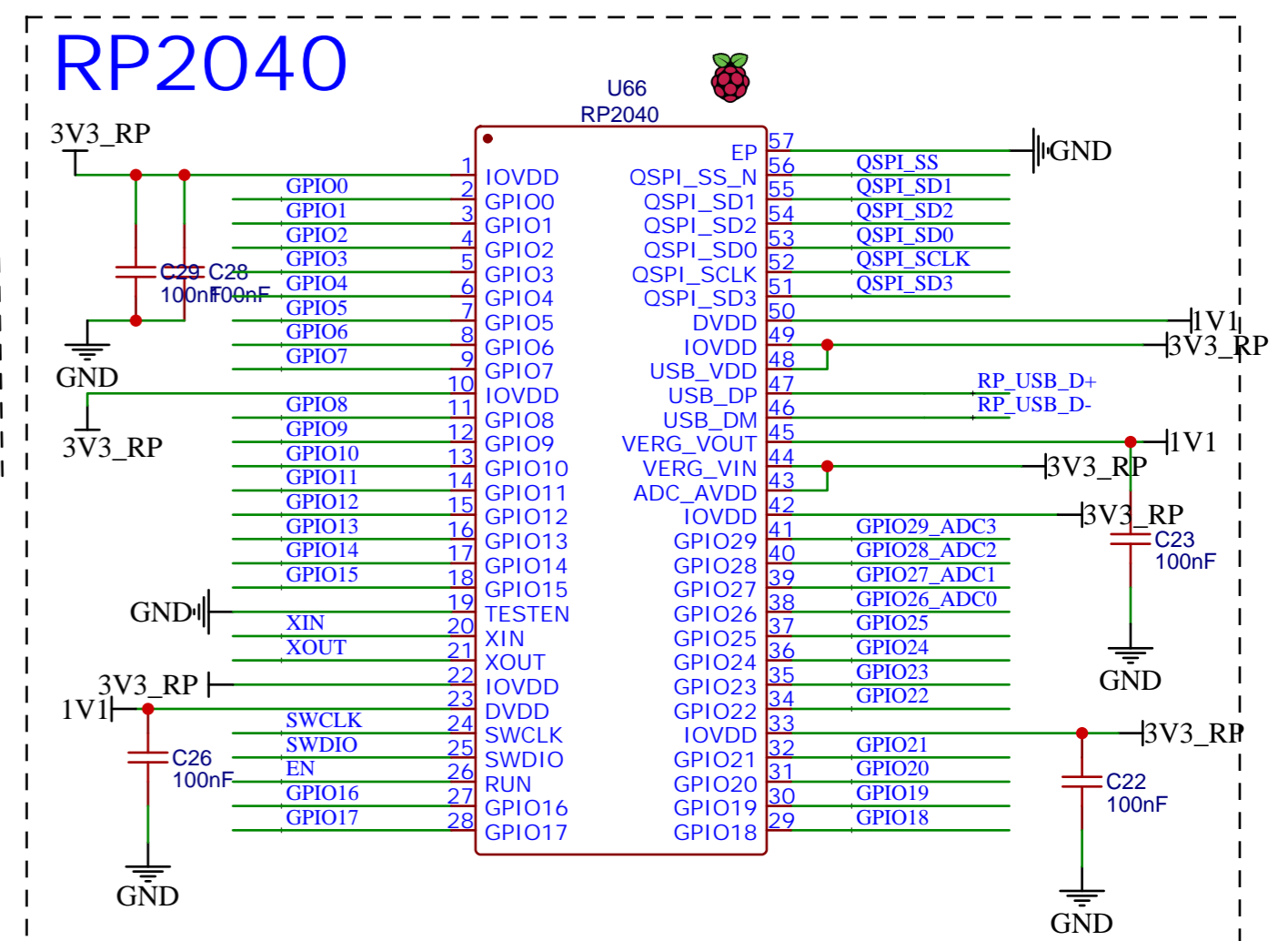
I2C



ANALOG SWITCH



RP2040



POWER

